

PHYSICAL DATA

FEATURES

- Aluminium, Steel
- Low Flicker
- Anti-glare

MOUNTING

Recessed

OPTIONS & ACCESSORIES

- Trim or Trimless, Direct or Adjustable
- Surface mounted or Pendant versions
- TRIAC Dimming

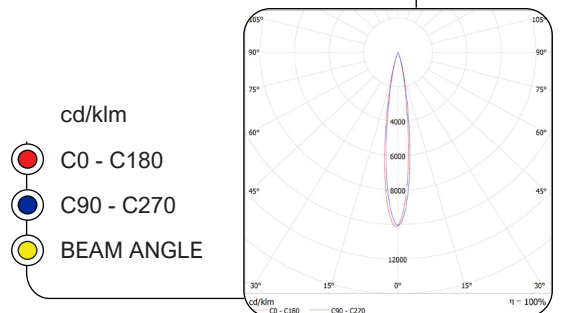
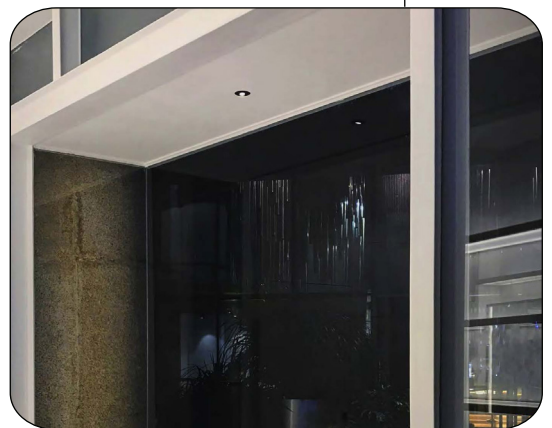
APPLICATION AREAS

Indoor - Residential, Shopping, Offices, Halls, Pedestrian Areas

TECHNICAL DATA

LF181311DT

LAMP	LED COB
TOTAL POWER (W)	7,5 W
SYSTEM LIGHT OUTPUT (LM)	285 LM
BEAM ANGLE	15°
CCT (K)	2700 / 3000 / 4000 K
CRI (Ra)	90
CURRENT (mA)	500 mA
OPERATING VOLTAGE-VAC	100-240 V
FLICKER FACTOR	102.74HZ / 0.55%
WEIGHT (Kg)	0,34 Kg
SOURCE POWER (W)	5,9 W
SOURCE LIGHT OUTPUT (LM)	660 LM
CUT OUT	Ø50mm



E&OE MAY OCCUR

